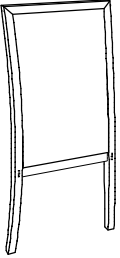
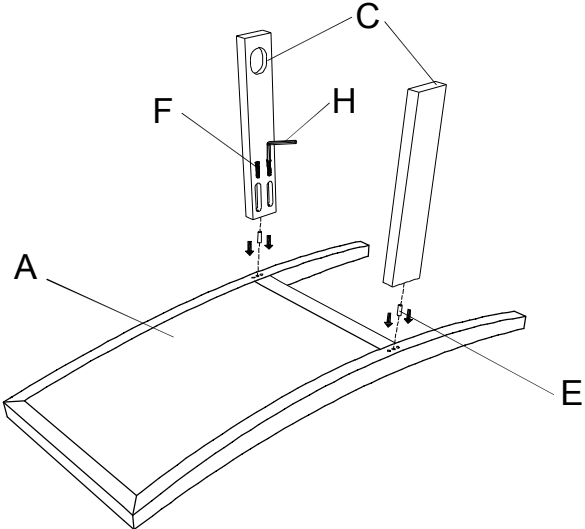
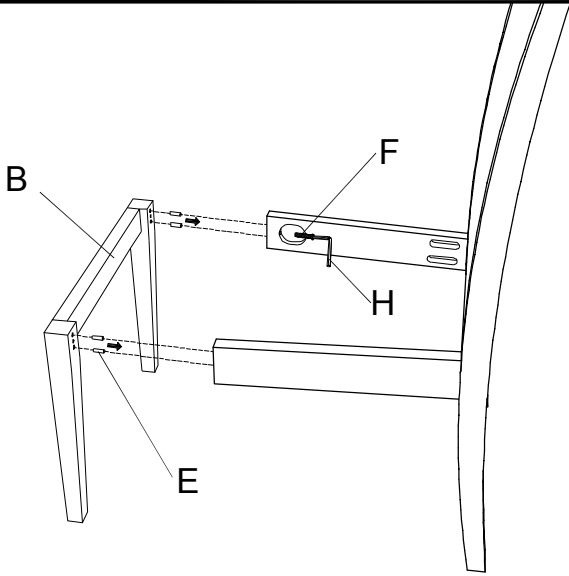
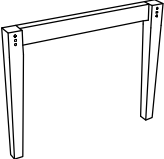
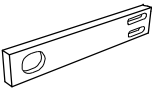
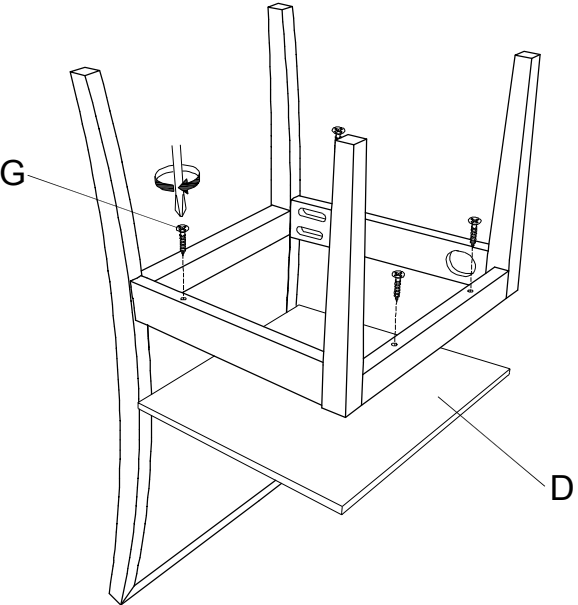
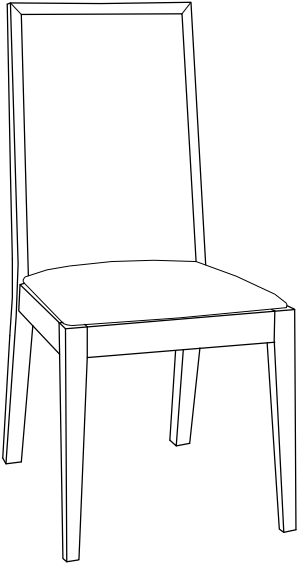
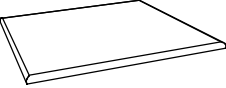

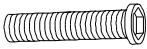
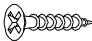


GUIA DE MONTAGEM CADEIRA OXFORD

<p>A</p>  <p>x1</p>	<p>1</p> 	<p>2</p> 	
<p>B</p>  <p>x1</p>			
<p>C</p>  <p>x2</p>	<p>3</p> 	<p>4</p> 	
<p>D</p>  <p>x1</p>			
<p>E</p> <p>x 6</p>			
<p>F</p> <p>x 6</p>			
<p>G</p> <p>x 4</p>			
<p>H</p> <p>x 1</p>	